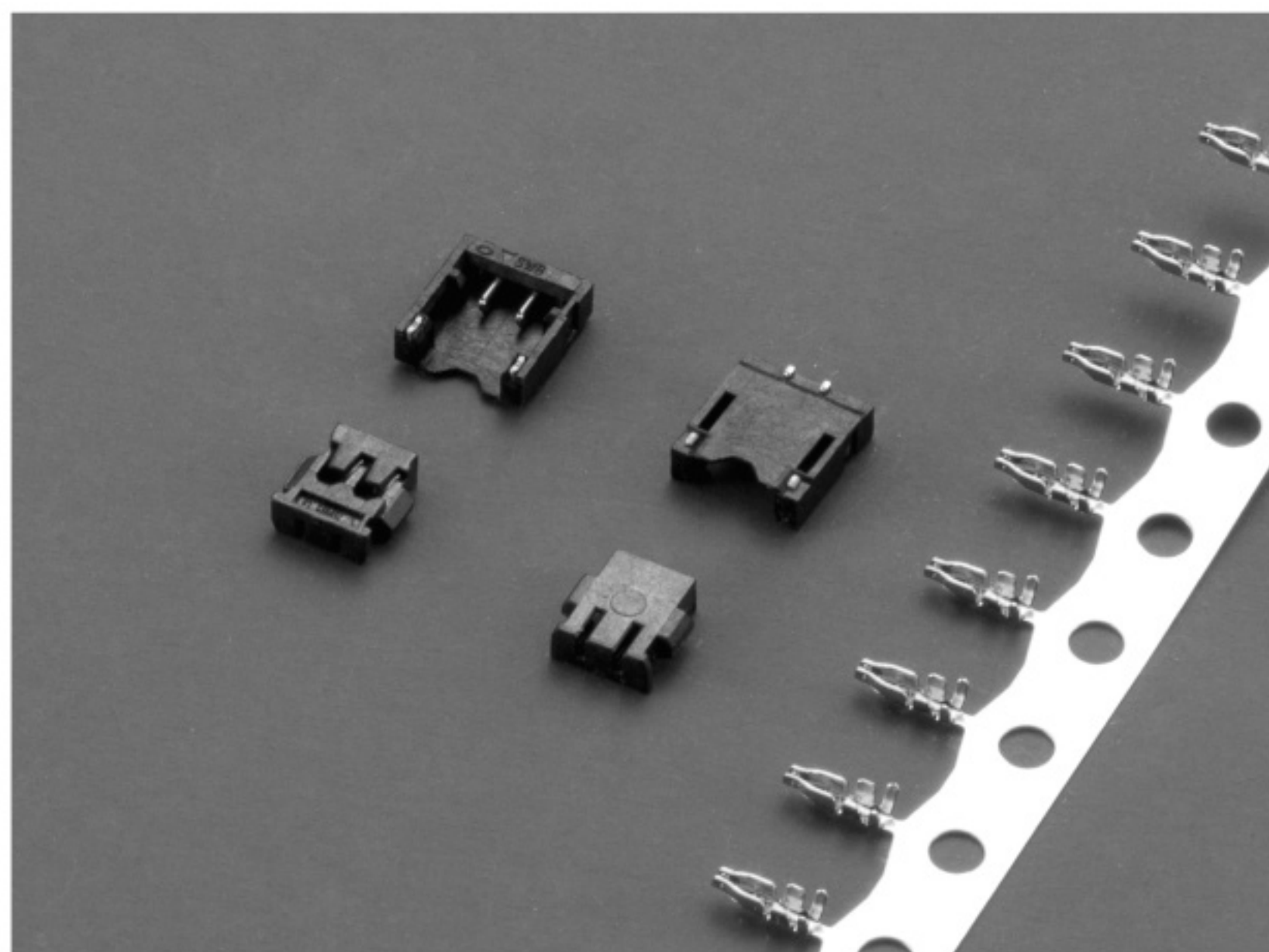


# E1202H SERIES

1.20mm PITCH WIRE TO BOARD CONNECTOR



## Specifications

Current rating: 1.5A AC,DC

Voltage rating: 50V AC,DC

Temperature range: -25°C to + 85°C  
(including temperature rise)

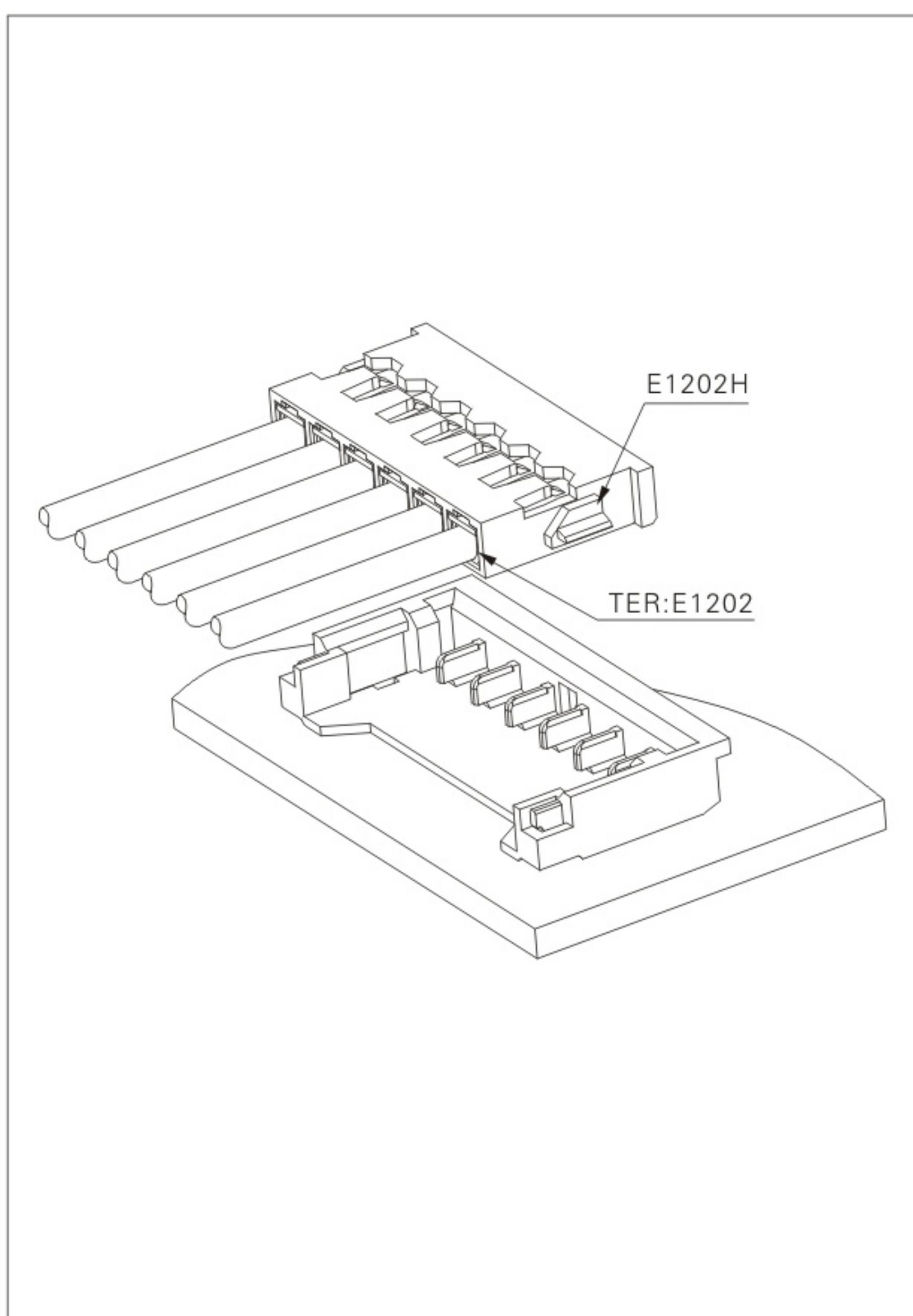
Contact resistance: 20m  $\Omega$  Max.

After environmental testing/20m  $\Omega$  Max.

Insulation resistance: 100M  $\Omega$  Min.

Withstanding voltage: 500V AC/minute

Applicable wire: AWG#28-#30



---

## Assembly layout



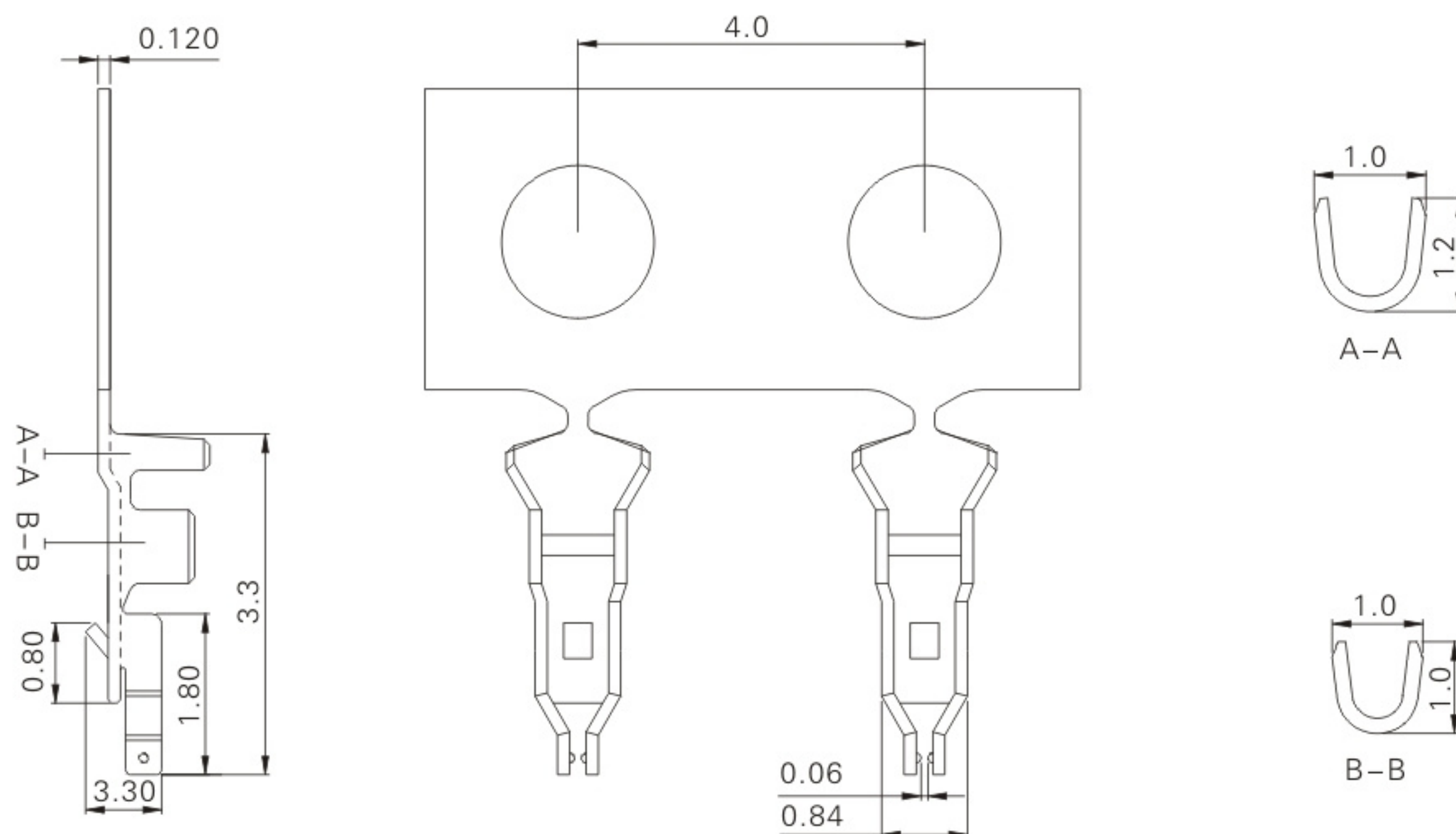


# E1202-T (1.20mm pitch crimp terminal)

## Reference Informations:

\*Material: Phosphor Bronze/Gold flash

\*Mates with: E1202H series Housing



## Ordering Information & Specifications

Unit: mm

Part No.	Wire Range	Insulation O.D.	Material	Finish	Qty/reel
E1202P-00	AWG#30-#36	0.75mm max	Phosphor Bronze	Gold flash	15,000PCS

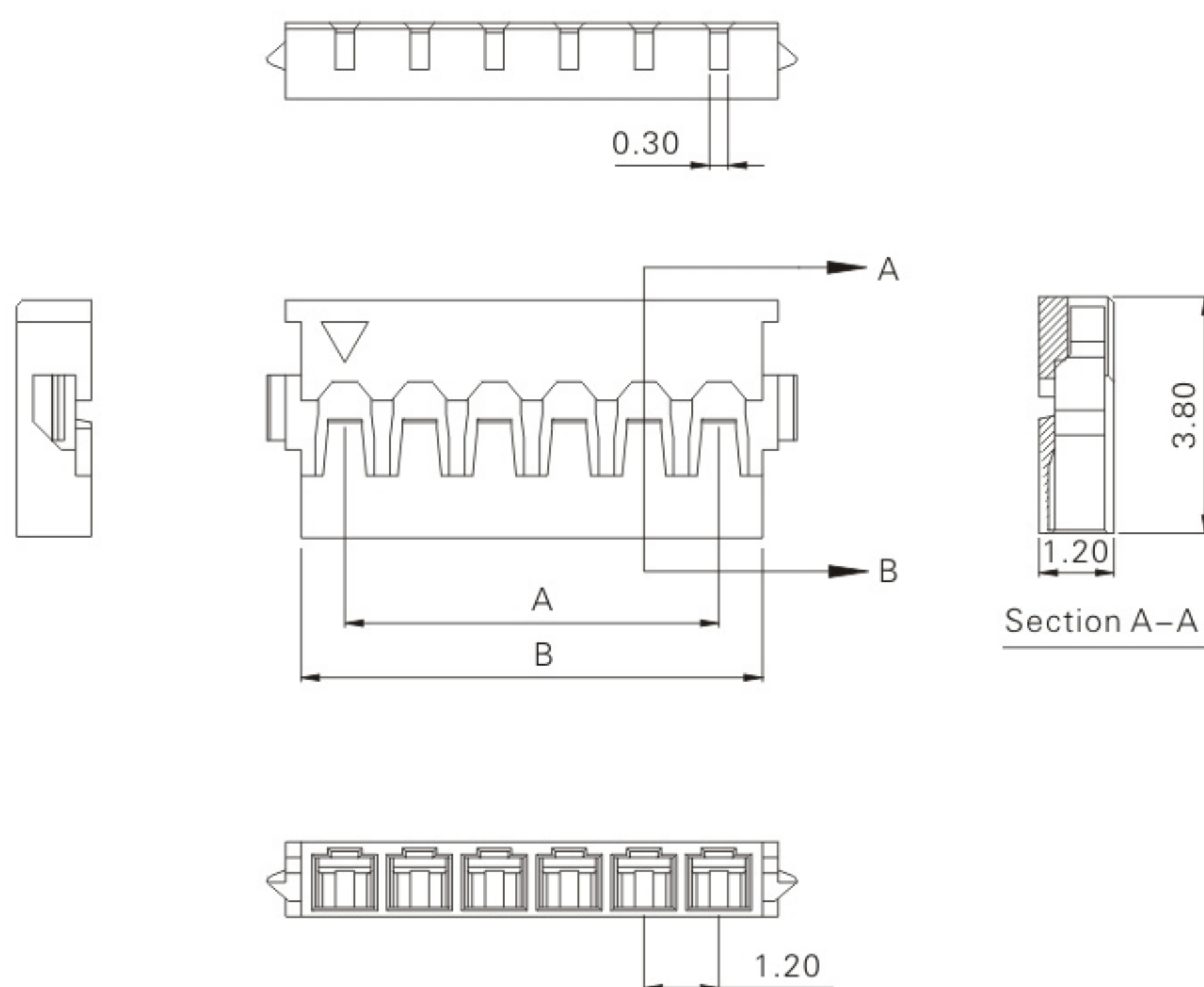
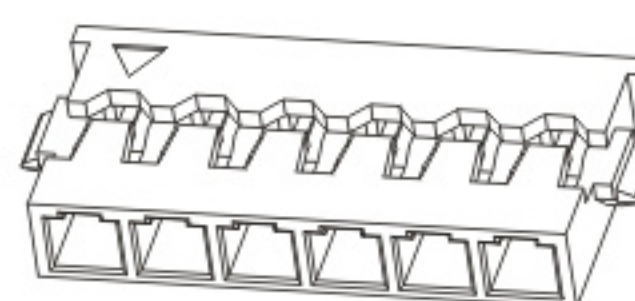
# E1202H-NP (1.20mm pitch crimp housing)

## Reference Informations:

\*Material: E1202H UL94V-0/Black

\*Suitable E1202T series Terminal

\*Mates with E1202H series Wafer



## Ordering Information & Dimensions

Circuits	Part No.	DIM.(mm)	
		A	B
02	E1202H-02P	1.20	2.60
03	E1202H-03P	2.40	3.80
04	E1202H-04P	3.60	5.00
05	E1202H-05P	4.80	6.20
06	E1202H-06P	6.00	7.40
07	E1202H-07P	7.20	8.60
08	E1202H-08P	8.40	9.80
09	E1202H-09P	9.60	11.00
10	E1202H-10P	10.80	12.20
11	E1202H-11P	12.00	13.40
12	E1202H-12P	13.20	14.60
13	E1202H-13P	14.40	15.80
14	E1202H-14P	15.60	17.00
15	E1202H-15P	16.80	18.20